

## Product Name

**500 W - 432 MHz Intelligent Power Amplifier**

P/N : LC-ASS-011

**500MOD432**

## General Description

This linear power amplifier pallet has been designed to cover the 432 MHz HAM radio band offering OEMs a single, unsurpassed solution for high power amplifier designs. The amplifier is based on the latest generation of Freescale MRFE6VP5600HR6, high ruggedness N-Channel LDMOS device.

A 8bit/64 MHz microcontroller, with a soft real-time operating system, acquire all working voltages, currents, and temperatures acting bias control, protection and monitoring function. All the working parameter are available through serial port supporting various kind of protocols.

An event log in EEPROM memory permit to read an history of the past amplifier working life.

With a Windows based software included in the distribution kit it is possible to configure the amplifier for different working options and to monitoring, run time, various working parameter (state, supply voltage and current, temperature, bias voltage, etc.).

## Technical Specification Summary

Frequency Range	428 - 436 MHz	Working Class	AB
Output Power (CW) @1dBcp	500 W $\pm$ 0,3 dB	Supply Voltage	48 V
Power Gain @1dBcp	> 19 dB	Supply Current (max)	< 20 Amp.
Input Return Loss	> 15 dB	Temperature Range	-20 to +45 °C
Efficiency @1dBcp	> 55% (60% typ)	Output VSWR (no damage)	< 3:1
OIP3	> 63 dBm		

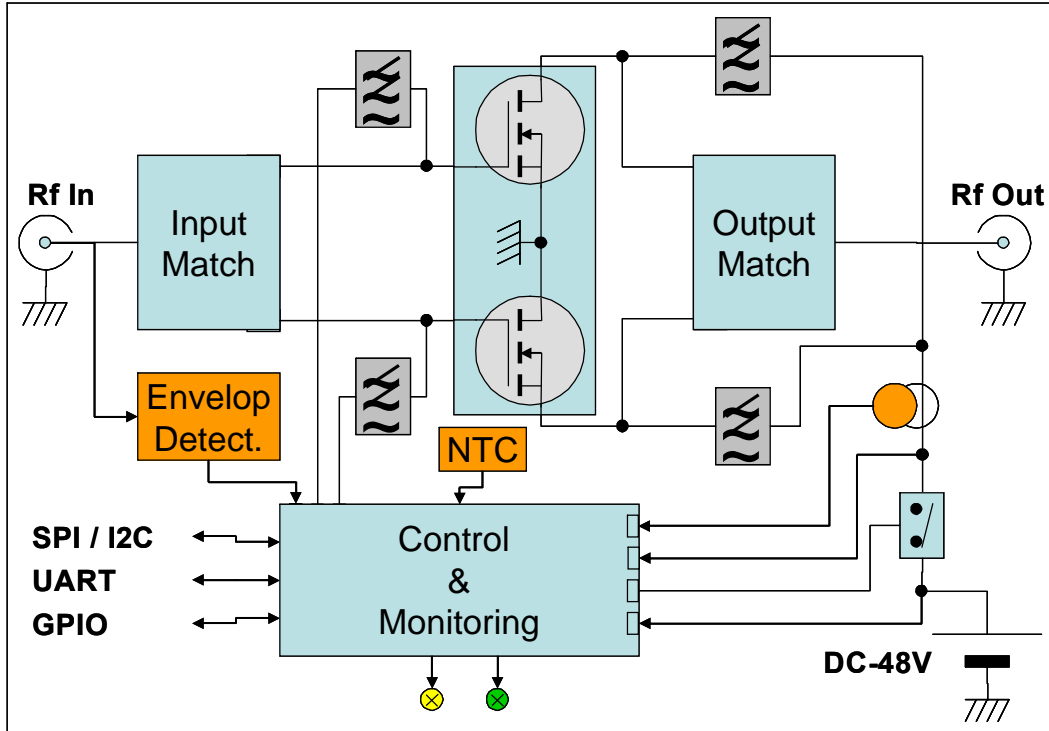
## Key Features

- Microcontroller based intelligent bias for temperature compensation ( wide range of bias current )
- Run-time digital bias setting for low distortion and consume optimization
- Power input detection for fast over-driver input protection
- Self test function at power start-up
- Over-temperature, Over-current, Over-voltage protection
- PTT input to set zero power consumption in RX mode
- Remote controlling and monitoring via multi-protocol UART/I2C/SPI serial interface
- Soft-start to minimize DC load transient
- Amplifier working history event log
- LEDs power amplifier status presentation (Stand-by, Calibration, Temperature-Compensated, Alarm)

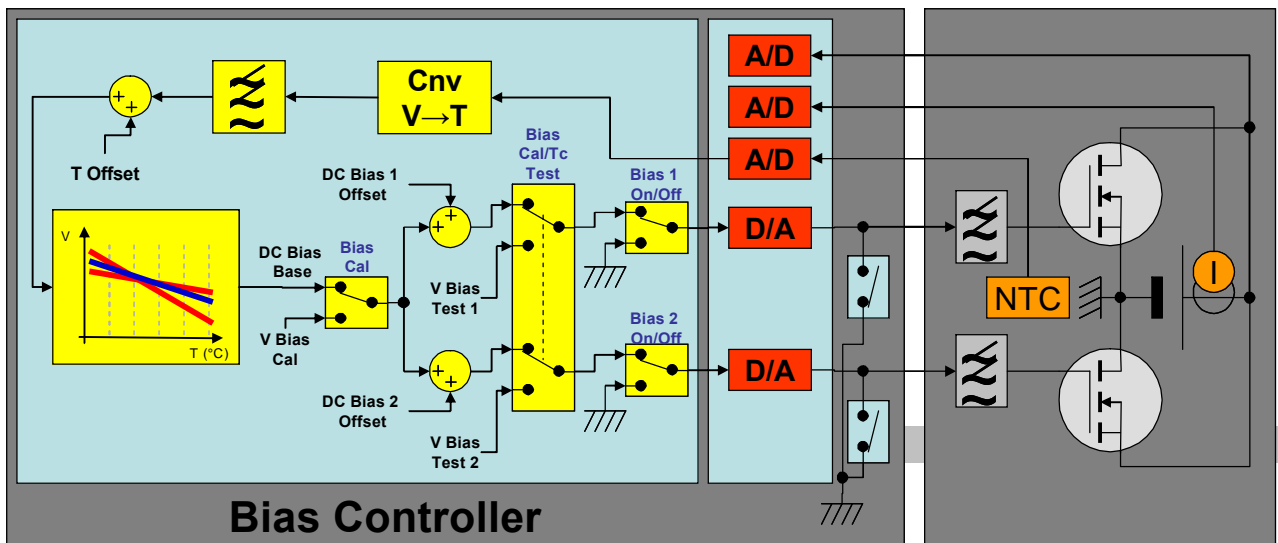
## Product Picture



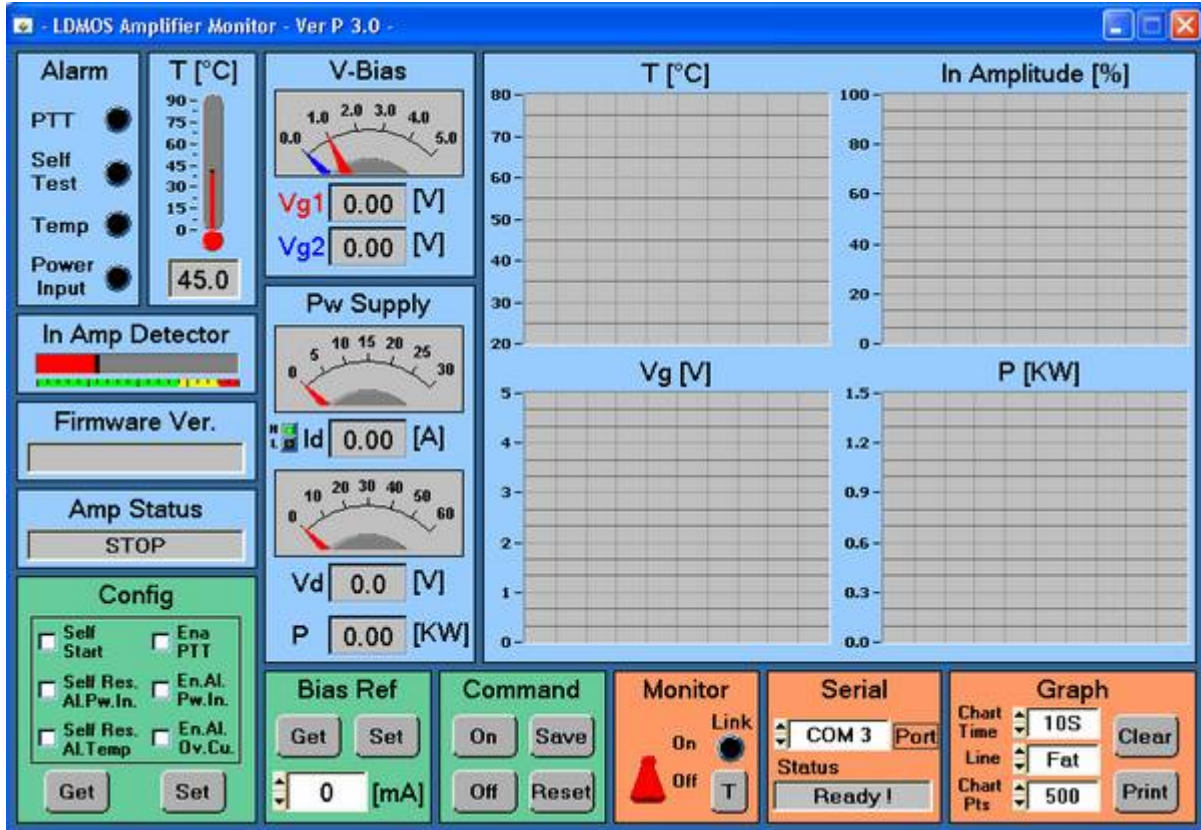
**Amplifier Block Diagram**



**Bias Control Block Diagram**



Control and Monitoring Software Screenshot



**Mechanical Specification**

